



PORTLAND BOLLARDS

Made By Portland Stone Ware

3' x 4.5" OD Sch 40 Bollard with Plate

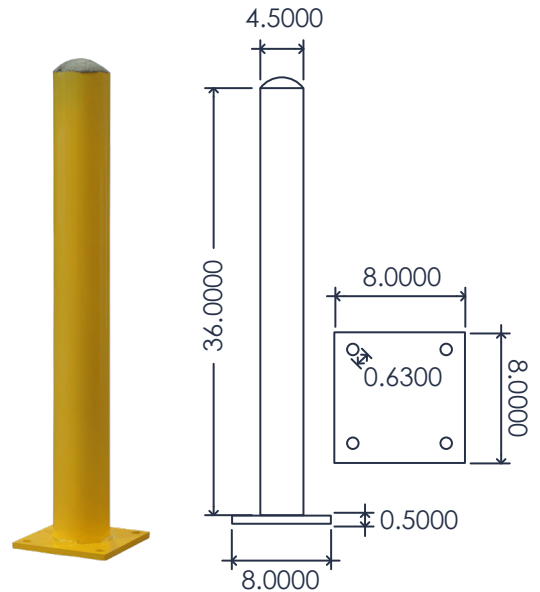
Specification Sheet

Yellow Powder Coated | Item Code: BP801

Bollards are visible barriers used to protect valuable areas.

Common placement of bollards are in commercial/industrial settings to block areas such as parking lots, sidewalks, storefronts and utility equipment. They are also often used to restrict access to specific areas to promote safe environments.

Surface mount bollards are to be placed on top of solid surfaces such as concrete or asphalt to provide visual ad in front of a permanent structure. The fasteners should be determined by the installer.



*pallet is shrink wrapped before shipping

Individual Bollard

Code: BP801

Steel Thickness: Sch 40

Fill: 3000 psi concrete with round top

Finish: powder coated safety yellow

Individual Size (without packaging): 8" x 38"

Individual Weight (without packaging): 77 lbs

Palleted Bollards (25 per pallet)

Code: BP801

Steel Thickness: Sch 40

Fill: 3000 psi concrete with round top

Finish: powder coated safety yellow

Pallet Size: 40" L x 48" W x 28½" H

Pallet Weight: 1955 lbs



PORTLAND STONE WARE CO.

50 McGrath Road
Dracut, MA 01826
1 (800) 343-0001

portlandstoneware.com